



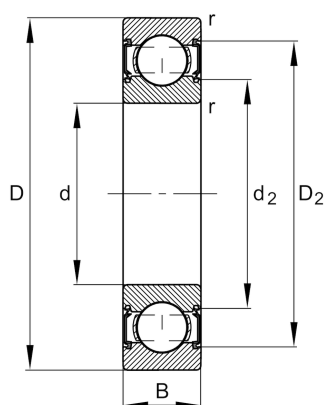
FAG

**6002-C-2HRS**

Deep groove ball bearing

Schaeffler ID:  
0957693660000Deep groove ball bearing 60..-C-2HRS,  
single row, Generation C, seals, steel  
sheet metal cage

## Technical information

**Main Dimensions & Performance Data**

d	15 mm	Bore diameter
D	32 mm	Outside diameter
B	9 mm	Width
$C_r$	6.300 N	Basic dynamic load rating, radial
$C_{0r}$	2.850 N	Basic static load rating, radial
$C_{ur}$	191 N	Fatigue load limit, radial
$n_G$	20.300 1/min	Limiting speed
	0,029 kg	Weight

**Dimensions**

$r_{min}$	0,3 mm	Minimum chamfer dimension
$D_2$	28,8 mm	Caliber diameter outer ring
$d_2$	19,2 mm	Caliber diameter inner ring

**Mounting dimensions**

$d_{amin}$	17 mm	Minimum diameter shaft shoulder
$D_{amax}$	30 mm	Maximum diameter of housing shoulder
$r_{amax}$	0,3 mm	Maximum fillet radius

**Calculation factors**

$f_0$	14	Calculation factor
-------	----	--------------------

**Temperature range**

$T_{min}$	-20 °C	Operating temperature min.
$T_{max}$	100 °C	Operating temperature max.

